



WARRANTY

Register your product within 30 days of purchase to activate its one-year limited manufacturer's warranty at [ovente.com/register](https://www.ovente.com/register)

WARRANTY IS ONLY VALID IF YOU REGISTERED WITHIN 30 DAYS AFTER PURCHASE.

LIMITED ONE (1) YEAR WARRANTY

Your product has a one (1) year warranty period from the date of purchase from an authorized retailer. In the event that the product is defective, feel free to contact us to arrange for a replacement. This warranty only covers defects in workmanship and materials. The warranty does not include damage due to abuse, misuse, commercial use, accidents or natural wear and tear.

LIMITATIONS

The warranty stated above is the only warranty applicable to this product. Other expressed or implied warranties are hereby disclaimed. No verbal or written information given by the Manufacturer, its agents or employees shall create a guarantee or in any way increase the scope and duration of this warranty. Repair or replacement as provided under this warranty is the exclusive remedy of the consumer. The manufacturer shall not be liable for incidental or consequential damages resulting from the use of this product. Any implied warranty of merchantability or fitness for a particular purpose on this product is limited to the applicable warranty period set forth above except to the extent prohibited by law. Consumer rights may vary from state to state.

Customer Support: [ovente.com/support](https://www.ovente.com/support)

Visit us at [ovente.com](https://www.ovente.com)



[Facebook.com/ovente](https://www.facebook.com/ovente)



[@OventeTweets](https://twitter.com/OventeTweets)



[@Ovente](https://www.instagram.com/Ovente)

OVENTE®

3-Speed Professional Ionic Salon Wall Mount Hair Dryer HDW223 Series



Before using please read the instruction manual and keep it for future use.



IMPORTANT SAFEGUARDS

DANGER – Any hair dryer is electrically live even when the switch is off. To reduce the risk of death or injury by electric shock:

- Please keep the instruction manual, guarantee certificate, the sales receipt and, if possible, the carton with the inner packaging.
- Before using, check if any of the parts are loose, if so, tighten it accordingly to make sure that the structure is stable.
- Before plugging in the appliance, check that the socket and power match those of the appliance. Attention shall be paid to whether the rated value of input supply voltage is according to that of rated input value or not.
- **DO NOT IMMERSE THE HAIR DRYER INTO WATER OR ANY OTHER LIQUIDS.**
- Hair dryer should never be left unattended when plugged or in use.
- Do not pull, twist, or wrap line cord around dryer, even during storage.
- To disconnect, turn the control OFF, then remove plug from wall outlet.
- Do not use the appliance for other than its intended use.
- This appliance should not be used by persons (including children) with reduced physical, sensory or mental capabilities, or lack of experience and knowledge, unless they are supervised by the person who is responsible for their safety.
- Keep the hair dryer out of the reach of children. Do not leave children unsupervised with the hair dryer.
- While using the appliance, keep your hair out of it. Keep your hair away from the air inlets.
- Do not use with voltage converter.



USING THE HAIR DRYER

DRYER OPERATION

The left knob as you face the dryer is the TIMER CONTROL. Turn this knob to the drying time selected. The timer will automatically regulate the drying cycle. Once the dryer is turned on, all phases of the drying cycle can transpire; the air is heated and the blower operates.

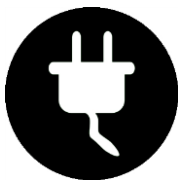
TEMPERATURE CONTROL

The right knob of the dryer offers seven different temperature selections.

DRYING TIME AND TEMPERATURE

Drying times and temperatures will vary from client to client, depending upon hair texture, color, style and personal sensitivity.

CAUTION: Hair must be pinned down and covered due to the upward airflow.



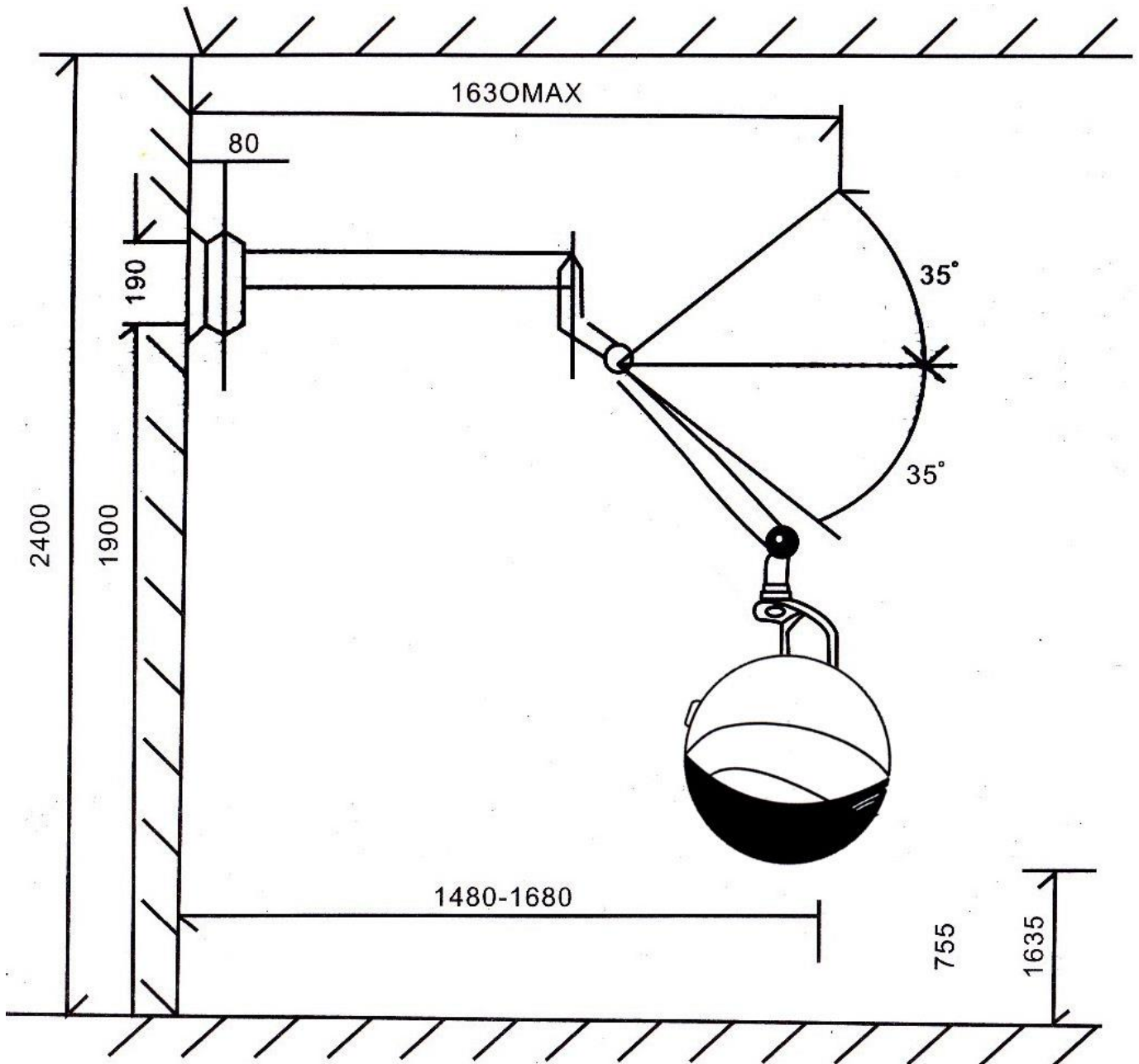
ELECTRICAL REQUIREMENTS

Voltage: 120V

Power: 1000W

Hertz: 60Hz

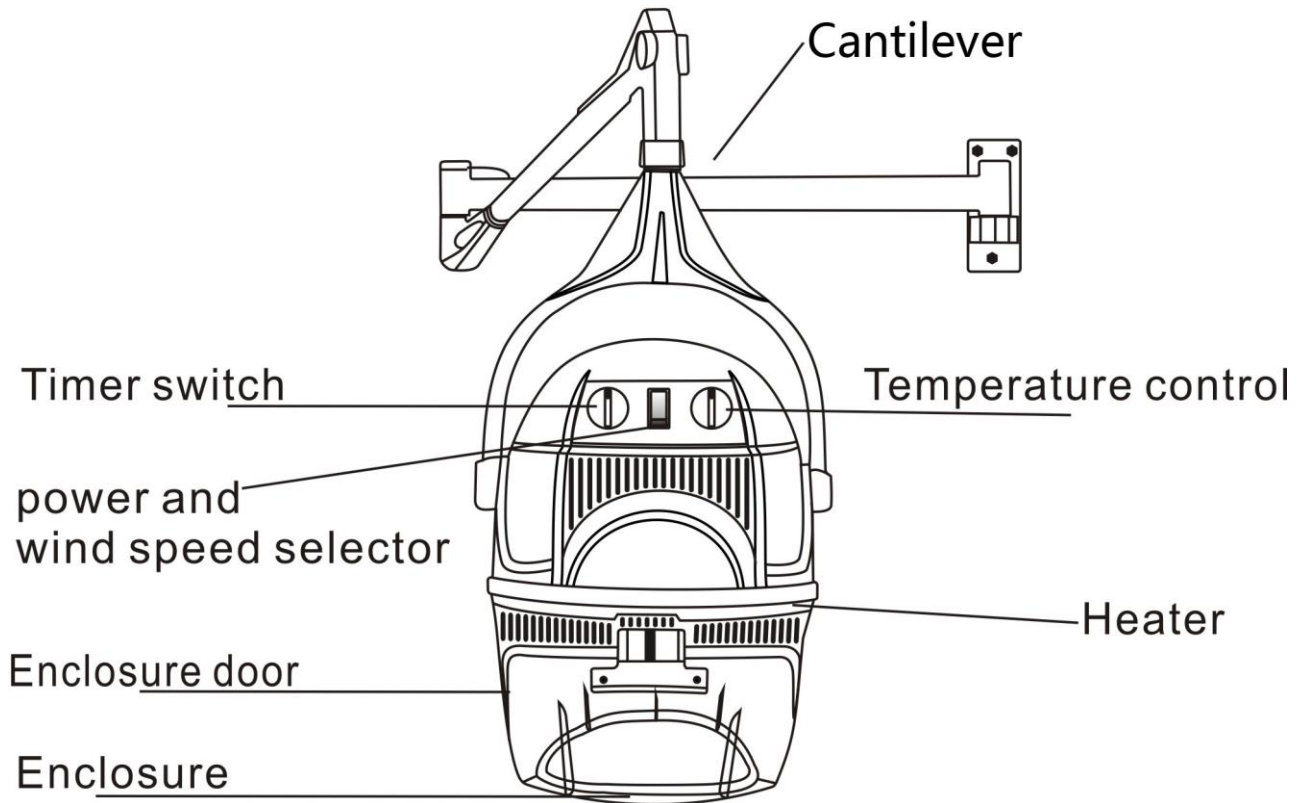
Attaching the Wall Dryer to the Wall



- Periodically inspect the wall unit for secure mounting.
- Do not use attachments that are not recommended by the manufacturer. Any damage due to use of unsupported accessories will not be covered by warranty.
- Do not use extension cords or other accessories; otherwise, stated herewithin.
- Never operate the appliance if it has a damaged cord/plug, has been dropped, damaged, or immersed into any water surfaces.
- Keep the cord away from heated surfaces.
- Do not use this dryer to dry a wig or items that are made of materials that may cause fire.
- Do not use outdoors or operate where aerosol (spray) products are being used or when oxygen was being administered.
- While using the appliance, keep hair away from the inlets to prevent irritation and burning.
- Unplug immediately after using.
- Turn the temperature knob to "COOL" position for at least one minute before turn off the "POWER" switch (red switch in the middle). In order to exhaust the hot air accumulated inside the hair dryer unit.
- If by any chance, the hair dryer stopped working, please contact your service provider for assistance.

NOTE: This appliance is intended for professional use only.

HAIR DRYER PARTS



INSTALLATION



This unit is heavy, and if not properly secured during installation and assembly could fall, possible causing injury as well as damage to property.

1. Screw off the screw.



Screw 1



Stainless steel ring 2

2.

a) Pull-up the stainless steel ring.

b) Insert the short metal rod of the arm unit into the hole of the heater at an appropriate length, which means the four steel balls need to be strictly aligned with the rod's groove. If not, the stainless steel ring couldn't be pulled-down in any case.



c) Pull-down the stainless steel ring.



3. Screw on the screw to support the fixture.

