



WARRANTY

Register your product within 30 days of purchase to activate your one-year limited manufacturer's warranty at [ovente.com/register](https://www.ovente.com/register)

WARRANTY IS ONLY VALID IF YOU REGISTER WITHIN 30 DAYS AFTER PURCHASE.

LIMITED ONE (1) YEAR WARRANTY

Your product has a one (1) year warranty period starting on the date of purchase from an authorized retailer. In the event that the product is defective, please contact us to arrange for a replacement. This warranty only covers defects in workmanship and materials. The warranty does not include damage due to misuse, commercial use, accidents, or natural wear and tear.

LIMITATIONS

The warranty stated above is the only warranty applicable to this product. Other expressed or implied warranties are hereby disclaimed. No verbal or written information given by the Manufacturer, its agents or employees shall create a guarantee or in any way increase the scope and duration of this warranty. Repair or replacement as provided under this warranty is the exclusive remedy of the consumer. The manufacturer shall not be liable for incidental or consequential damages resulting from the use of this product. Any implied warranty of merchantability or fitness for a particular purpose on this product is limited to the applicable warranty period set forth above except to the extent prohibited by law. Consumer rights may vary from state to state.

**Customer Support: [ovente.com/support](https://www.ovente.com/support)
Visit us at [ovente.com](https://www.ovente.com)**



Facebook.com/ovente



@OventeTweets



@Ovente

OVENTE®

7.0" Dual-Sided LED Wall Mount Mirror, 1x/10x MFW701x10x Series



Available Colors



Brushed



Chrome



Copper



Oil Rubbed
Bronze

Before using please read the instruction manual and keep it for future use.



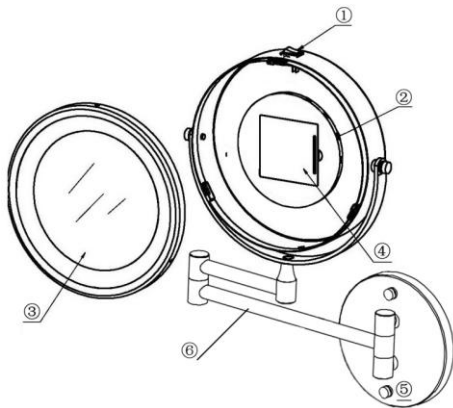
IMPORTANT SAFEGUARDS

When using your mirror, basic safety precautions should always be followed, including the following:

- Read all instructions carefully before use.
- Provide close supervision when mirror is being used near children.
- Never operate mirror if it is not working properly, has been dropped, damaged, or submersed in water.
- Do not use outdoors.
- Do not disassemble the mirror. Do not attempt to remove, alter or replace the permanent LED light.
- Never operate where aerosol (spray) products are being used, or where oxygen is administered.
- Be sure mirror is not in a position where it can reflect sunlight. Reflected sunlight can cause fire.
- Always switch the mirror OFF after use and unplug before storing.



MIRROR PARTS

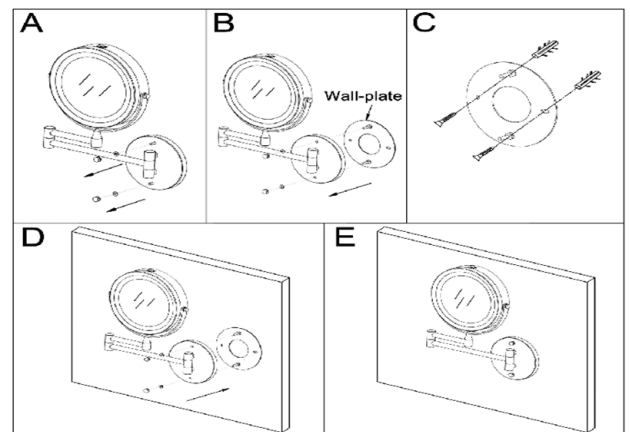


- ① On/Off Switch
- ② SMD-LED lights
- ③ Glass
- ④ Battery Compartment
- ⑤ Base
- ⑥ Flexible Arm

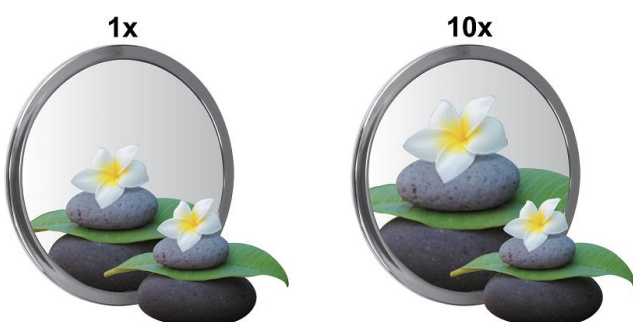


INSTALLATION

- A. Take out the screws from the base
- B. Take the wall-plate out of the backside of the base
- C. Drill the hole and fix the wall-plate on the wall with the screw
- D. Put the mirror back to the plate with step one's screw
- E. Lock with the nut



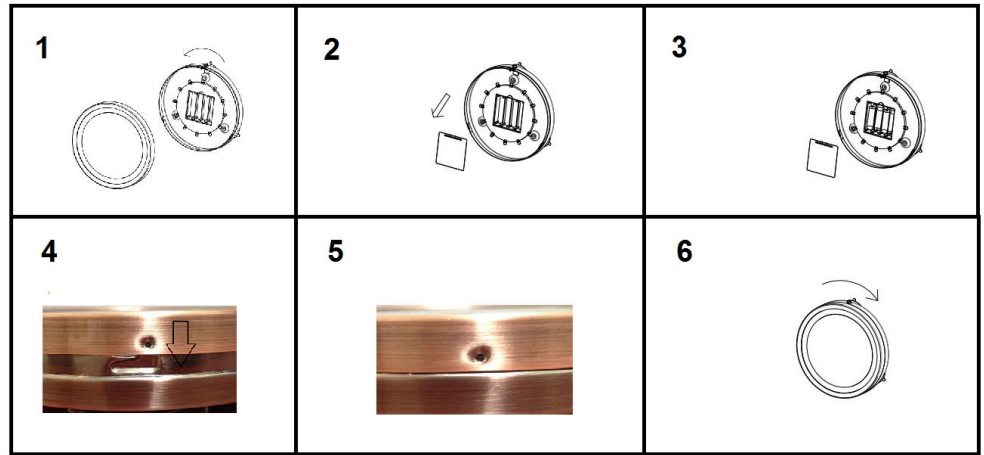
Magnification Effect



NOTE: When you are further from the mirror, the image is inverted. As you get closer, the image flips to the actual virtual image in magnification standard. This is because of the concave lens of the 10x magnification.

Battery Replacement

1. Before attempting to replace the batteries, turn "OFF" the switch.
2. Turn mirror to its 10x magnification.
3. Hold mirror facing towards you then twist counterclockwise refer to figure 1.
4. Pull the mirror frame out.
5. Open the battery compartment and put 4 x AAA batteries refer to figure 2.
6. Close the battery compartment.
7. Put the mirror frame back and make sure the 3 side dimples are aligned on the groove refer to figure 4.
8. Press the mirror frame down refer to figure 5.
9. Turn right (clockwise) to close refer to figure 6.



NOTE:

It is recommended to always use high quality lithium batteries to maintain its maximum performance.



CARE/DISPOSAL OF ALKALINE BATTERIES

- Use only fresh batteries of the required type and size.
- Do not mix old and new batteries, different types of batteries, or rechargeable batteries of different capacities.
- Depleted batteries are to be removed from the item.
- Dispose of the old batteries properly and according to your local regulations.



MIRROR MAINTENANCE

1. Make sure that LED lights are OFF before cleaning.
2. Use a soft wet cloth to remove dirt and stains. Wipe with dry cloth afterwards.
3. To protect the mirror from dust simply store it in its original box. Store out of reach of children in a safe dry location.



TECHNICAL SPECIFICATIONS

Model: MFW701x10x Series

Battery: 4*AAA Battery