

OVENTE®

WARRANTY

Register your product within 30 days of purchase to activate its one-year limited manufacturer's warranty at [ovente.com/register](https://www.ovente.com/register)

WARRANTY IS ONLY VALID IF YOU REGISTERED WITHIN 30 DAYS AFTER PURCHASE.

LIMITED ONE (1) YEAR WARRANTY

Your product has a one (1) year warranty period from the date of purchase from an authorized retailer. In the event that the product is defective, feel free to contact us to arrange for a replacement. This warranty only covers defects in workmanship and materials. The warranty does not include damage due to abuse or misuse, any commercial use or accidents.

LIMITATIONS

The warranty stated above is the only warranty applicable to this product. Other expressed or implied warranties are hereby disclaimed. No verbal or written information given by the Manufacturer, its agents or employees shall create a guarantee or in any way increase the scope and duration of this warranty. Repair or replacement as provided under this warranty is the exclusive remedy of the consumer. The manufacturer shall not be liable for incidental or consequential damages resulting from the use of this product. Any implied warranty of merchantability or fitness for a particular purpose on this product is limited to the applicable warranty period set forth above except to the extent prohibited by law. Consumer rights may vary from state to state.

Customer Support: [ovente.com/support](https://www.ovente.com/support)

Visit us at [ovente.com](https://www.ovente.com)



Facebook.com/ovente



@OventeTweets



@Ovente

OVENTE®

7.5 Inch Dual-Sided Wall Mount LED Lighted Mirror, 1x/10x MLW75 Series



Before using please read the instruction manual and keep it for future use.

DIFFERENT FINISHES AVAILABLE AT OVENTE.COM



Available in three elegant finishes: Antique Brass, Brushed and Chrome.



CARE/DISPOSAL OF ALKALINE BATTERIES

- Use only fresh batteries of the required type and size.
- Do not mix old and new batteries, different types of batteries, or rechargeable batteries of different capacities.
- The batteries may explode if mistreated. Do not attempt to recharge or disassemble the batteries.
- Depleted batteries are to be removed from the item.
- Dispose of the old batteries properly and according to your local regulations.
- Ensure that batteries are kept out of reach of children.



MIRROR MAINTENANCE

- Make sure that LED lights are OFF before cleaning.
- Use a soft damp cloth to remove dirt and stains. Wipe with dry cloth afterwards.
- You can use a velvet cloth for better result in cleaning (Velvet cloth not included).
- To protect the mirror from dust simply store it in its original box.
- Store out of reach of children in a safe dry location.



TECHNICAL SPECIFICATIONS

Input Voltage: 4XAA (Battery) / 100V-240V Dual Port USB (AC Adapter)

Hertz: 50/60Hz (AC Adapter)



IMPORTANT SAFEGUARDS

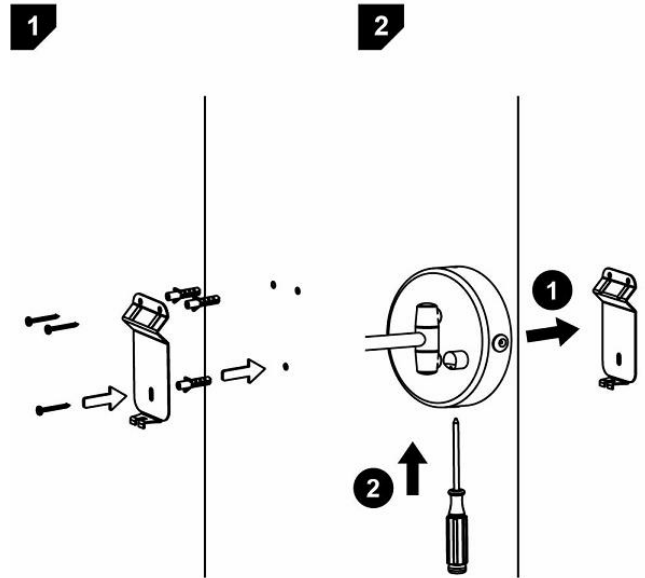
When using your mirror, basic safety precautions should always be followed, including the following:

- Read all instructions carefully before using the mirror.
- Provide close supervision when this mirror is being used near children or disabled persons.
- Use this mirror only for its intended use as described within this manual. Do not use attachments not recommended by manufacturer.
- Never operate this mirror if it is not working properly, if it has been dropped or otherwise damaged, or submersed in water.
- Never drop or insert any objects into any opening.
- Do not disassemble the mirror.
- Never operate where aerosol (spray) products are being used, or where oxygen is administered.
- Make sure that the mirror is OFF when not in use or before cleaning.
- Be sure mirror is not in a position where it can reflect sunlight. Reflected sunlight can cause fire.
- Do not attempt to remove, alter or replace the permanent LED light.
- Do not use outdoors.
- When using the AC adapter, never allow the power supply to be pulled, twisted or severely bent.
- Do not use extension cord with this mirror.
- Do not attempt to remove, alter or replace the permanent LED light.
- Always switch the mirror OFF after use and unplugged before storing
- Remove batteries when not is use or before storing.



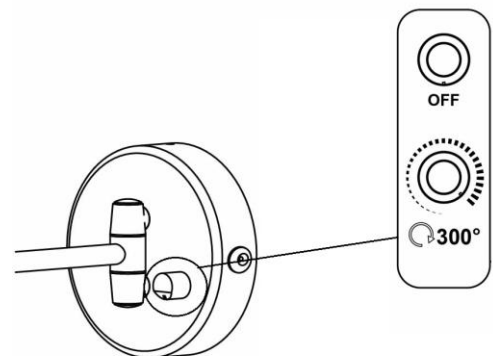
INSTALLATION

1. Determine the position where you would like to place the mirror.
2. Loosen the mounting plate from bottom of the mirror to locate mounting holes and mark hole locations on the wall.
3. Use a drill not bigger than wallplug (diameter: less than 6mm) to hole at the marks.
4. Install mounting bracket onto wall.
5. Install the mirror plate over the mounting bracket and secure with three screws provided.
6. Be sure the mirror is attached securely before using.



USING THE MIRROR

1. To turn on lights, simply turn the switch at the base of the mirror.
2. After use, always turn switch to the "OFF" position. Leaving mirror on longer will reduce battery life.



Magnification Effect

3

ovente.com

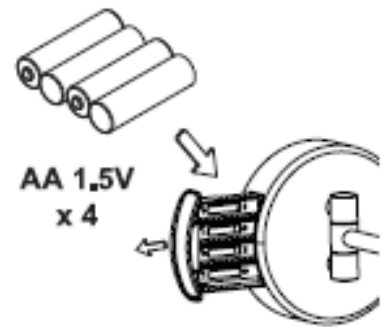


NOTE: when you are further from the mirror, the image is inverted. As you get closer, the image flips to the actual virtual image in magnification standard. This is because of the concave lens of the 10x magnification.

Battery Replacement

The battery compartment is located on the bottom side of the appliance. To replace the batteries, use the following instructions:

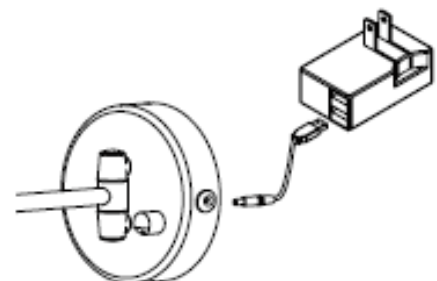
- Before attempting to replace batteries, turn off and unplug adapter.
- Pull out the battery compartment from the base.
- The compartment holds Four (4) AA batteries. All four batteries must be present and properly positioned for the unit to operate.
- Once the batteries have been inserted, replace the battery compartment cover.
- The mirror is now ready for use.



NOTE: It is recommended to always use high quality lithium batteries to maintain its maximum performance.

AC Adapter

1. Locate the socket on the base of the mirror.
2. Connect the AC adapter. Turn on/off



to use LED lights.

ovente.com