



WARRANTY

Register your product within 30 days of purchase to activate your one-year limited manufacturer's warranty at [ovente.com/register](https://www.ovente.com/register)

WARRANTY IS ONLY VALID IF YOU REGISTER WITHIN 30 DAYS AFTER PURCHASE.

LIMITED ONE (1) YEAR WARRANTY

Your product has a one (1) year warranty period starting on the date of purchase from an authorized retailer. In the event that the product is defective, please contact us to arrange for a replacement. This warranty only covers defects in workmanship and materials. The warranty does not include damage due to misuse, commercial use, accidents, or natural wear and tear.

LIMITATIONS

The warranty stated above is the only warranty applicable to this product. Other expressed or implied warranties are hereby disclaimed. No verbal or written information given by the Manufacturer, its agents or employees shall create a guarantee or in any way increase the scope and duration of this warranty. Repair or replacement as provided under this warranty is the exclusive remedy of the consumer. The manufacturer shall not be liable for incidental or consequential damages resulting from the use of this product. Any implied warranty of merchantability or fitness for a particular purpose on this product is limited to the applicable warranty period set forth above except to the extent prohibited by law. Consumer rights may vary from state to state.

**Customer Support: [ovente.com/support](https://www.ovente.com/support)
Visit us at [ovente.com](https://www.ovente.com)**



Facebook.com/ovente



@OventeTweets



@Ovente

OVENTE®

8.5" Dual-Sided Wall Mount Mirror MPWD3185 1x7x Series



Available Colors



Before using please read the instruction manual and keep it for future use.



IMPORTANT SAFEGUARDS

When using your mirror, basic safety precautions should always be followed, including the following:

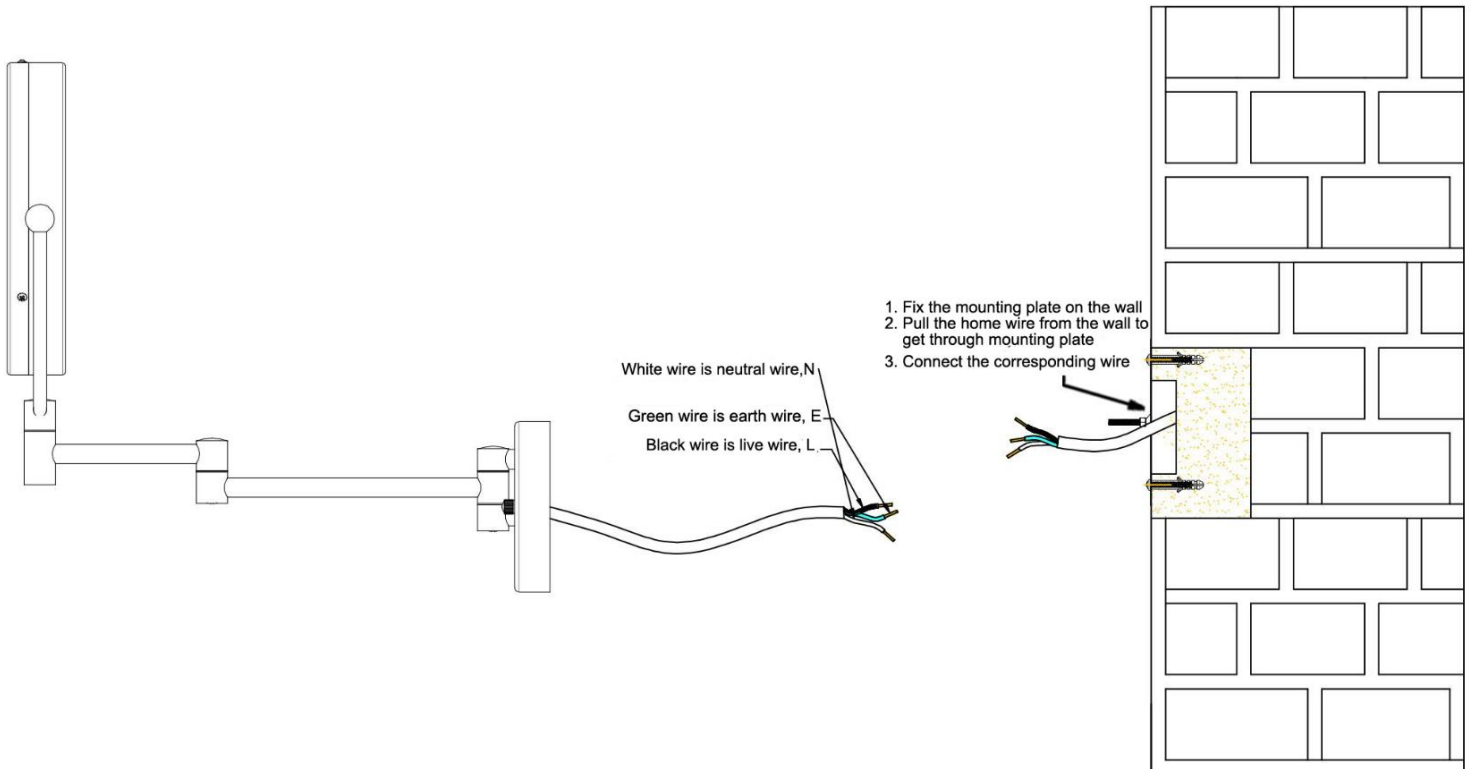
- Read all instructions carefully before use.
- Provide close supervision when mirror is being used near children.
- Never operate mirror if it is not working properly, has been dropped, damaged, or submersed in water.
- Do not use outdoors.
- Do not disassemble the mirror. Do not attempt to remove, alter or replace the permanent LED light.
- Never operate where aerosol (spray) products are being used, or where oxygen is administered.
- Be sure mirror is not in a position where it can reflect sunlight. Reflected sunlight can cause fire.
- Always switch the mirror OFF after use and unplug before storing.

Magnification Effect



NOTE: When you are farther from the mirror, the image is inverted. As you get closer, the image flips to the actual virtual image in magnification standard. This is due to the concavity of the mirror.

Hard Wire Installation

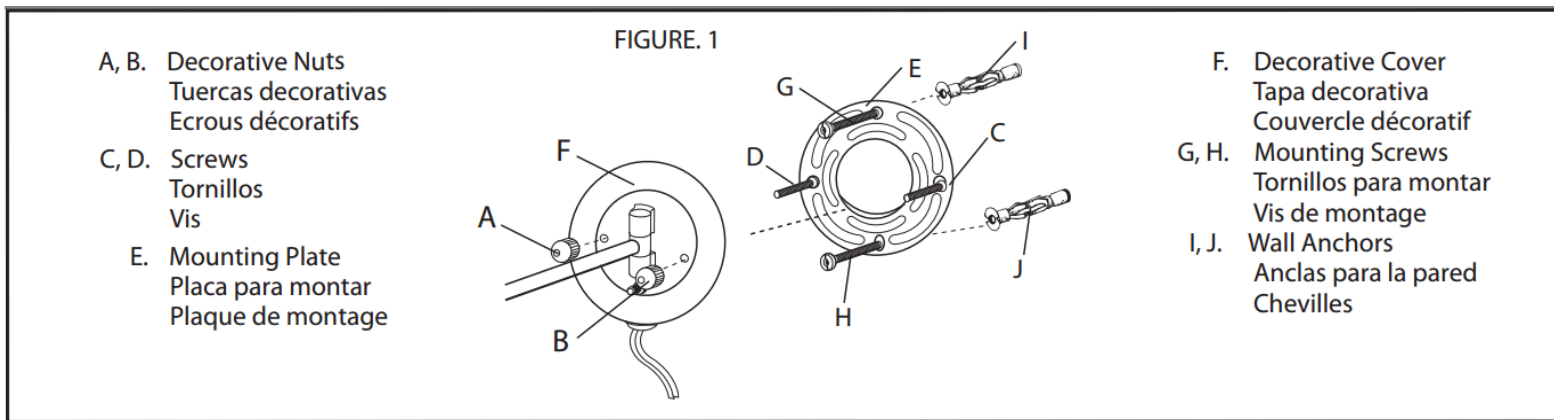


CAUTION: Before installing, make sure that the power at the breaker is OFF.

- Fix the mounting plate on the wall. (See instructions on the mounting plate installation).
- Pull the home wire from the wall to get through mounting plate.
- Connect the corresponding wire and put an electrical tape on the wires:
 - White wire is Neutral Wire, N
 - Green wire is Earth Wire, E
 - Black wire is Live Wire, L
- Place decorative cover F over mounting bracket by aligning holes with screws C and D and secure until snug with decorative nuts A and B.

Mounting Plate Installation (SEE FIGURE.1)

1. Determine appropriate location and height. Recommended approximately 58" from floor if mirror is to be used while standing, 42" from floor for use while seated.
2. Remove decorative nuts A and B from screws C and D. Separate mounting plate E and decorative cover F.
3. Using mounting plate E as a template, locate appropriate position for holes on wall and mark.
4. Drill two holes to accommodate enclosed wall anchors I and J (Molly Bolts).
5. Insert wall anchors into holes.
6. Remove mounting screws G and H from wall anchors I and J.
7. Holding mounting plate into position, thread screws G and H through mounting plate into wall anchors and tighten.



MIRROR MAINTENANCE

1. Make sure that LED lights are OFF before cleaning.
2. Use a soft wet cloth to remove dirt and stains. Wipe with dry cloth afterwards.
3. To protect the mirror from dust simply store it in its original box. Store out of reach of children in a safe dry location.



TECHNICAL SPECIFICATIONS

Input Voltage: 110V (Hard wire)

Power: 9W

Hertz: 50/60Hz