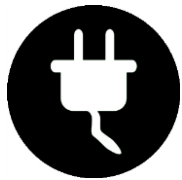


## **AUTOMATIC TEMPERATURE CONTROLLER**

1. The automatic temperature controller is a sensitive sensor and needs to be taken care of.  
It should not be hurtled, bumped and shaken hard.
2. Only our controller attached to the skillet can be used, any others are not advised.
3. Input the controller straight, when pulling it, hold the plug and do not draw the wire sharply.  
Take good care of the direction when you plug it in or out.
4. Keep the socket of temperature tester clean.
5. If the tester is damaged or too hot, turn the appliance OFF at once. Call your service provider for immediate assistance.
6. The temperature graduated disc should be position "OFF" when you either input or output the temperature controller. Otherwise, it would be damaged or heated too much.



## **ELECTRICAL REQUIREMENTS**

**Voltage:** 120V

**Hertz:** 60Hz

**Power:** 1400W

# OVENTE®

## **12 Inch Electric Portable Skillet with Glass Tempered Cover SK10112 Series**



Before using please read the instruction manual and keep it for future use.



**NOTE:** The heating plate is non-stick. Do not use sharp slice or similar devices. Do not use a sharp knife to cut food in the pan. The temperature controller must not be placed on the heating plate. Wipe clean the heating plate after use. If some residues are attached, they will cause burns or lead to irregular heating.

## **SAFETY MEASUREMENTS**

Operate the appliance according to the following safety measurements, in case of burn, electric shock or function disorder.

- **Wire is too hot**

- Stop using immediately and call service provider for assistance.

- **120 Voltage**

- Confirm the right voltage (120V) and power (1400W). After using, unplug the skillet. It must not share one socket with other electric appliances.

**Be careful with the wire:**

- It must not be twisted hard and pulled sharply.

- Heat plate cannot be immersed into water.

- Do not clean it in water.

- It can be reused only when it is complete.

**Do not use the pan under if:**

- The work plate is not steady or on easy burning surfaces such as newspapers, PVC table and floor, etc.

- The heating plate should be far away from the wall, furnish, PVC desk and floor etc at least 6in.

## 2. BOIL

- a. After turning ON, wait for 5-10minutes before starting to use the skillet.
- b. After cooking, turn the disc to "MIN" to maintain the temperature.

**NOTE:** It is normal for the control light to keep on flashing: during the course of boil, it is shown on the regulator as well. A beeping sound is normal which is caused by the heat expansion between heater and heat plate.

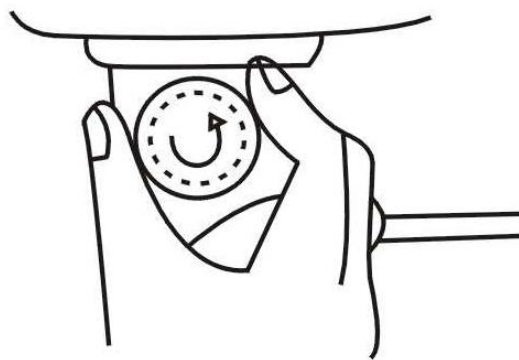
**CAUTION:** Do not put hands under the thermal refractor or any goods that are easily burnt on the pan.

## USING THE COVER

The cover is needed for when cooking meatball, pizza, steak, any meat piece, hamburgers, frying eggs, or other frying food. **CAUTION: Pan is full of steam, be careful when uncovering the skillet.**

## AFTER USING THE SKILLET

1. When finished, adjust the rotary switch to OFF position.
2. Unplug the skillet.
3. Take out the temperature controller from the heating plate.



**CAUTION:** The temperature tester is still hot, the heating plate should be cool before taking off the controller.

4. After the heating plate is cooled, wipe it with a clean sponge (sponge is not included).

When doing this, cover the socket hole to avoid the water from penetrating to it.

5. Wipe the washed pan with a rag.



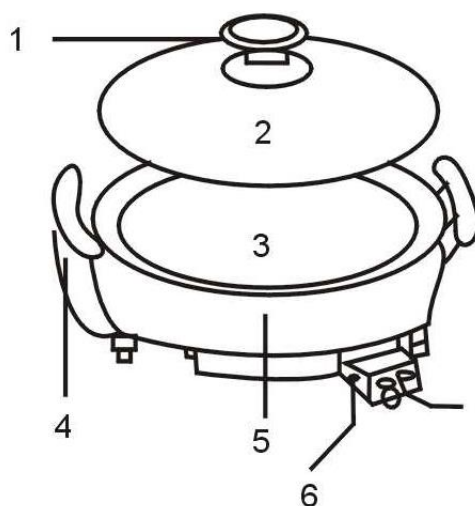
## IMPORTANT SAFEGUARDS

*When using your skillet, basic safety precautions should always be followed, including the following:*

- Please keep the instruction manual, guarantee certificate, the sales receipt and if possible, the carton with the inner packaging.
- Before plugging in the appliance, check that the socket and power matched those of the appliance. Attention shall be paid to whether the rated value of input supply voltage is according to that of the rated input value or not.
- Do not touch the hot surface.
- Do not use the appliance for other than its intended use. Do not use outdoors.
- Extreme caution must be used when moving an appliance containing hot liquids.
- To disconnect, turn the control OFF, then remove plug from wall outlet.
- Always remove the plug from the socket when the skillet is not in use. Allow it to cool down before putting on or taking off parts. Do not touch or insert plug with wet hands to avoid electric shock.
- Prevent the product to be exposed to excessive dirt and humidity.
- Do not attempt to repair or modify the skillet yourself, only authorized and qualified personnel may repair this skillet.
- This appliance should not be used by persons (including children) with reduced physical, sensory or mental capabilities, or lack of experience and knowledge, unless they are supervised by the person who is responsible for their safety.
- Children should be supervised to ensure that they do not play with the appliance.
- Use only original accessories, do not connect incompatible products.
- Under no circumstances must the skillet be placed in water or any liquid or come in contact with liquid. Do not handle the skillet with wet or moist hands. Should the skillet become wet or moist, remove the main plug from the socket immediately.
- Use the skillet only for its intended purpose.
- If the supply cord is damaged, do not use the skillet and contact your service provider.

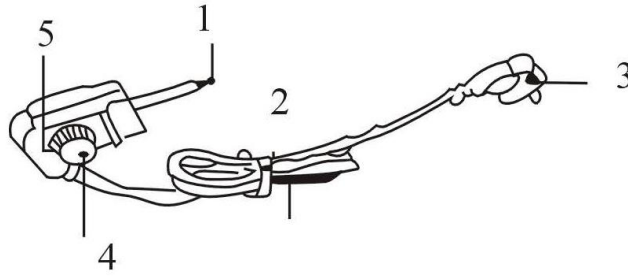
- When disconnecting the power cord of the skillet, grasp and pull the plug, not the cord/cable.
- During installation/cleaning, please pay attention that the power cord will not be squeezed or damaged.
- Clean the product itself with a slightly damp cloth (cloth not included).
- Make sure that the supply cord does not come into contact with any parts or appliance which generates excessive heat.
- Never immersed the skillet or plug into water or any other liquid.
- Ensure that the wire does not hang over tables and do not touch any hot appliance.
- Keep the skillet far away from the gas or any electric hot stoves.
- Adjust the temperature controller before inputting the plug; when finished, turn the controller to OFF and then unplug.
- Do not use lotion, nylon brush and metal brush on the skillet.

## ELECTRIC SKILLET PARTS



- |                  |                                  |
|------------------|----------------------------------|
| 1. Handle        | 4. Stand                         |
| 2. Glass Cover   | 5. Shell                         |
| 3. Heating Plate | 6. Box of Temperature Controller |

# TEMPERATURE CONTROLLER



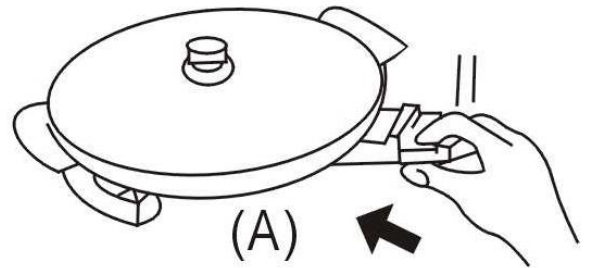
1. Temperature Tester
2. Wire
3. Plug

4. Temperature Rotary Switch
5. Indicator Light

## USING THE WAFFLE MAKER

### 1. POWER

- a. Turn the temperature rotary switch to "OFF" (fully clockwise position) and plug into socket (A).



**NOTE:** If the controller is not properly inserted, the appliance will be heated abnormally and can thus easily damage the pan or cause accidents. So inserting the controller correctly is very important.

- b. Adjust the temperature graduated disc according to the different cooking needs.

Temperature Graduated disc(°F)	Cook content
MIN	Keep temperature
212°F~	Toast, hamburger, etc.
392°F 302°F	Frying eggs, cake, etc. Sausage, smoked meat, etc.
464°F	Pizza